

# Technical data sheet

Product features



## Cooking range gas on open cabinet

|              |                 |          |
|--------------|-----------------|----------|
| <b>Model</b> | <b>SAP Code</b> | 00014779 |
|--------------|-----------------|----------|



- Device type: Gas unit
- Ignition: Eternal flame
- Material: AISI 304

|                        |          |                        |                                |
|------------------------|----------|------------------------|--------------------------------|
| <b>SAP Code</b>        | 00014779 | <b>Net Weight [kg]</b> | 105.00                         |
| <b>Net Width [mm]</b>  | 1200     | <b>Power gas [kW]</b>  | 39.000                         |
| <b>Net Depth [mm]</b>  | 730      | <b>Type of gas</b>     | Natural gas,<br>propane butane |
| <b>Net Height [mm]</b> | 900      |                        |                                |

# Technical data sheet

Technical drawing

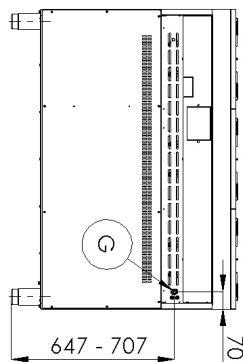
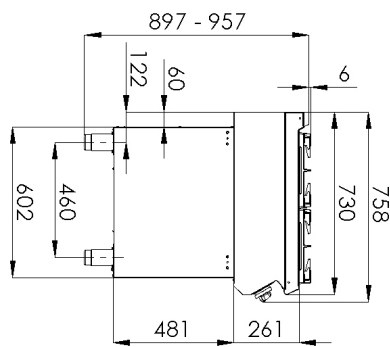
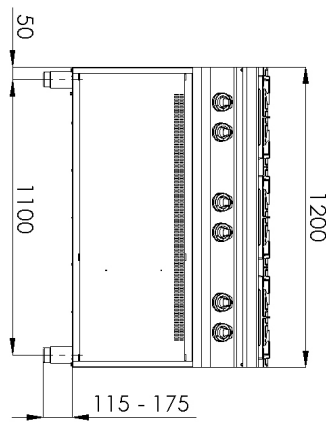


Cooking range gas on open cabinet

Model

SAP Code

00014779



# Technical data sheet

Technical parameters



## Cooking range gas on open cabinet

Model

SAP Code

00014779

### 1. SAP Code:

00014779

### 2. Net Width [mm]:

1200

### 3. Net Depth [mm]:

730

### 4. Net Height [mm]:

900

### 5. Net Weight [kg]:

105.00

### 6. Gross Width [mm]:

1260

### 7. Gross depth [mm]:

820

### 8. Gross Height [mm]:

1080

### 9. Gross Weight [kg]:

121.70

### 10. Device type:

Gas unit

### 11. Construction type of device:

With substructure

### 12. Power gas [kW]:

39.000

### 13. Ignition:

Eternal flame

### 14. Type of gas:

Natural gas, propane butane

### 15. Device color:

Stainless steel

### 16. Material:

AISI 304

### 17. Worktop type:

Molded - comfortable cleaning maintenance

### 18. Worktop material:

AISI 304

### 19. Worktop Thickness [mm]:

1.50

### 20. Grid material:

Cast iron

### 21. Service accessibility:

Trough the frontal panel

### 22. Safety thermocouple:

Yes

### 23. Adjustable feet:

Yes

### 24. Number of burners/hot plates:

6

### 25. Type of gas cooking zones:

Classic

### 26. Burner type:

Cast iron, detachable, with internal and external combustion